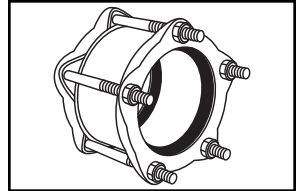
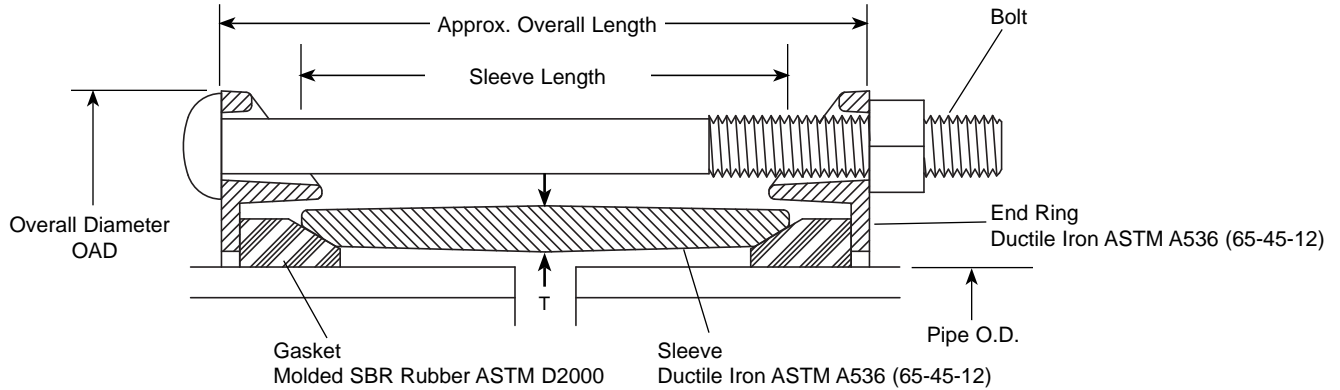


# SUBMITTAL INFORMATION

## Ductile Iron Couplings - (FC1-xxx-xxx-SH style)



### STYLE FC1 COUPLINGS FOR CAST, DUCTILE IRON OR PVC PIPE



NOM. PIPE SIZE	GASKET RANGE 1ST HALF CAT. #	END RING COLOR	BY	GASKET RANGE 2ND HALF CAT. #	END RING COLOR	CENTER SLEEVE		BOLTS		APPROX. OVERALL LGTH.	OAD	APPROX. WT. LBS.	CATALOG NUMBER	✓ SUBMITTED ITEM(S)	
						LGTH.	APPROX. (T) THICKNESS	DIA.	LGTH.						QTY.
2"	2.34 - 2.63	Red		2.34 - 2.63	Red	4"	5/16"	5/8"	6-1/2"	2	5-1/8"	5-5/8"	6	FC1-263-263-SH	
2-1/2"	See 2" FC2A														
4"	4.00	Red		4.00	Red	5"	3/8"	5/8"	8"	3	6-1/8"	8-5/16"	14	FC1-400-400-SH	
	4.00	Red		4.50 - 4.80	Red									FC1-400-480-SH	
	4.00	Red		4.80 - 5.10	Black									FC1-400-510-SH	
	4.50 - 4.80	Red		4.50 - 4.80	Red									FC1-480-480-SH	
	4.50 - 4.80	Red		4.80 - 5.10	Black									FC1-480-510-SH	
6"	4.80 - 5.10	Black		4.80 - 5.10	Black									FC1-510-510-SH	
	6.00	Red		6.00	Red	5"	3/8"	5/8"	8"	4	6-1/8"	10-1/2"	20	FC1-600-600-SH	
	6.00	Red		6.63 - 6.90	Red									FC1-600-690-SH	
	6.00	Red		6.90 - 7.20	Black									FC1-600-720-SH	
	6.30	Red		6.30	Red									FC1-630-630-SH	
6.63 - 6.90	Red		6.63 - 6.90	Red	FC1-690-690-SH										
8"	6.63 - 6.90	Red		6.90 - 7.20	Black									FC1-690-720-SH	
	6.90 - 7.20	Black		6.90 - 7.20	Black									FC1-720-720-SH	
	8.00	Red		8.00	Red	5"	3/8"	5/8"	8"	5	6-1/8"	12-13/16"	29	FC1-800-800-SH	
	8.00	Red		8.63 - 9.05	Red									FC1-800-905-SH	
	8.00	Red		9.05 - 9.40	Black									FC1-800-940-SH	
8.16 - 8.40	Red		8.16 - 8.40	Black	FC1-840-840-SH										
8.63 - 9.05	Red		8.63 - 9.05	Red	FC1-905-905-SH										
10"	8.63 - 9.05	Red		9.05 - 9.40	Black									FC1-905-940-SH	
	9.05 - 9.40	Black		9.05 - 9.40	Black									FC1-940-940-SH	
	10.20 - 10.50	Red		10.20 - 10.50	Red	6"	7/16"	5/8"	9"	6	7-1/8"	15"	41.5	FC1-1050-1050-SH	
	10.75	Red		10.75	Red									FC1-1075-1075-SH	
	10.75	Red		11.10 - 11.46	Black									FC1-1075-1146-SH	
11.10 - 11.46	Black		11.10 - 11.46	Black	FC1-1146-1146-SH										
12.24 - 12.50	Red		12.24 - 12.50	Red	FC1-1250-1250-SH										
12"	12.75	Red		12.75	Red	6"	1/2"	5/8"	9"	7	7-1/8"	17-7/8"	54.5	FC1-1275-1275-SH	
	12.75	Red		13.20 - 13.56	Black									FC1-1275-1356-SH	
	13.20 - 13.56	Black		13.20 - 13.56	Black									FC1-1356-1356-SH	

### FEATURES

- Bolts and Nuts: 304 Stainless Steel per ASTM A193 and A194
- Coating: Black Alkyd Enamel Shop Coat. NSF61 Approved.
- NSF61: NSF 61 Approved

The Ford Meter Box Company considers the information in this submittal form to be correct at the time of publication. Item and option availability, including specifications, are subject to change without notice. Please verify that your product information is current.



#### The Ford Meter Box Company, Inc.

P.O. Box 443, Wabash, Indiana U.S.A. 46992-0443

Phone: 260-563-3171 / Fax: 800-826-3487

Overseas Fax: 260-563-0167

<http://www.fordmeterbox.com>

04/04/07

Submitted By: